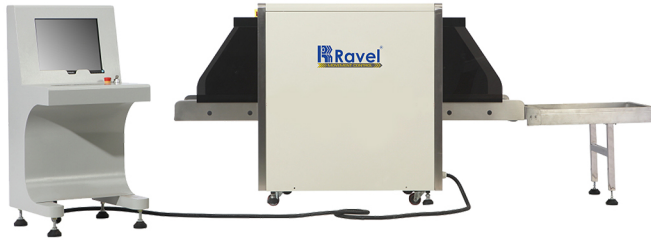




BAGGAGE SCANNER

RMC-650500



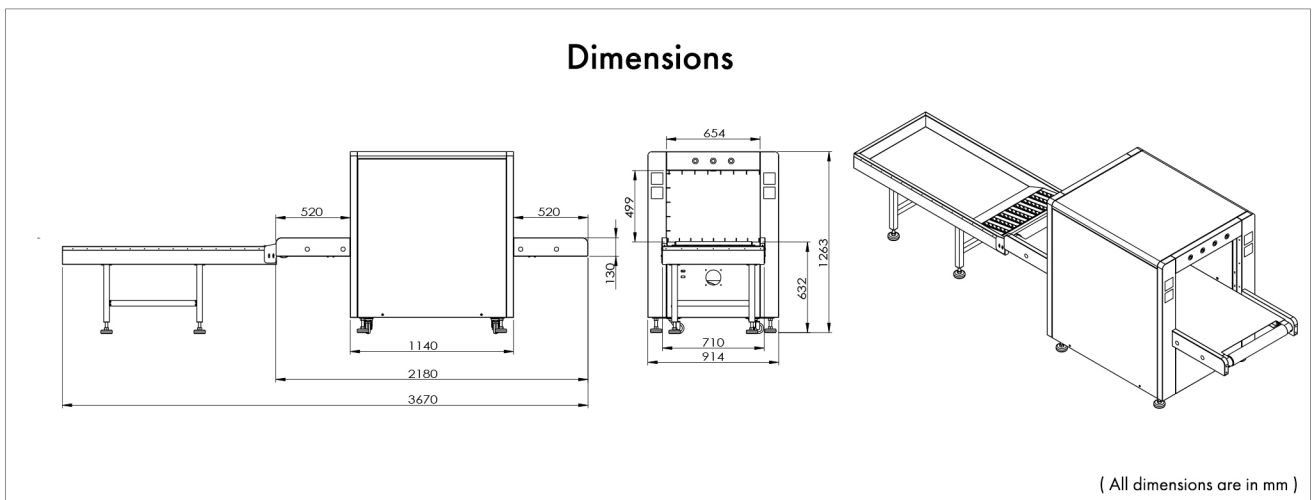
The Ravel Movement Control's Article Scanners are simple, elegant and thoughtfully designed to address scanning of baggage of varied sizes and dimensions. These are extremely important these days to ensure safety of people and property and to secure a facility from allowing entry of dangerous and un-authorized objects. These Baggage Scanners could be deployed at Malls, Hotels, offices building, defence establishments and so many other facilities where there is a need to secure a facility.



Sophisticated models are available for applications that require a very high degree of precision and for deployment for scanning small to very large consignments of ever even a meter in its dimensions.

Ravel Movement Control has taken enough and more care to offer a product that is safe for use in all types of indoor environments and are manufactured under stringent environment of quality with eye for precision and reliability.

Ravel offers customisation for special & specific requirements needing a great degree of sophistication in technology and integration to tackle modern day challenges.





BAGGAGE SCANNER

RMC-650500

DESCRIPTION	PARTICULAR
Model	Ravel Movement Control
Make	RMC-650500-SES
	RMC-650500-DES
Application	Indoor
IP Rating	IP43
Housing Material of Construction	Stainless steel
Housing Dimension (in mm)	L 2180 X W 914 X H 1263
X RAY GENERATOR	
Tunnel Size	W 650mm X H 500mm
Tube Current	Single Energy : 0.6 mA
	Dual Energy : 1.0 mA
Tube Voltage	Single Energy : 80 KV
	Dual Energy : 150 KV
X Ray Sensor	L-Shaped array detector, 24 Bit
X Ray Divergence angle	Singel Energy : 60°
	Dual Energy : 80°
Orientation	Upward
Generator Cooling	Sealed oil bath with forced air
Leakage Radiation	<0.1 µGy/h
Speed of the conveyer belt	0.22 m/s (adjustable)
Max load on conveyer belt	170 Kg
Safety of roll film	ISO 1600
Resolution	40 AWG (0.0787mm Metal line)
Spatial resolution	1.0 mm
Penetration force	Single Energy : 10mm Steel
	Dual Energy : 38mm Steel
Operating Power	220V AC ±10%
Absorbed Current	3 Amperes
Power Consumption	Single Energy : 0.8 K Watts
	Dual Energy : 0.85 K Watts



✉ info@ravelmovement.com 🌐 www.ravelmovement.com




BAGGAGE SCANNER

RMC-650500

Operating Temperature	-25°C + 55 °C
Operating Humidity	10 – 95 %
Noise during operation	Less than 60 dB
Duty Cycle	100%
Weight of the product	650 Kg
HOST COMPUTER SPECIFICATION	
Brand	Grantech
CPU	Core i3
RAM	4GB
Hard Disk Storage	1TB
Graphics	No
USB Ports	4 Ports
Monitor	Hi-Resolution 19inch Colour LCD
Operating System	Windows XP



✉ info@ravelmovement.com  www.ravelmovement.com

All product, product specifications and data are subject to change without notice to improve reliability, function or design or otherwise. RMCPL, its affiliates, agents, and employees, and all persons acting on its or their behalf (collectively, "Ravel Movement Control"), disclaim any and all liability for any errors, inaccuracies or incompleteness contained in any datasheet or in any other disclosure relating to any product.