



P- SWING GATE

RMC-PHS-900



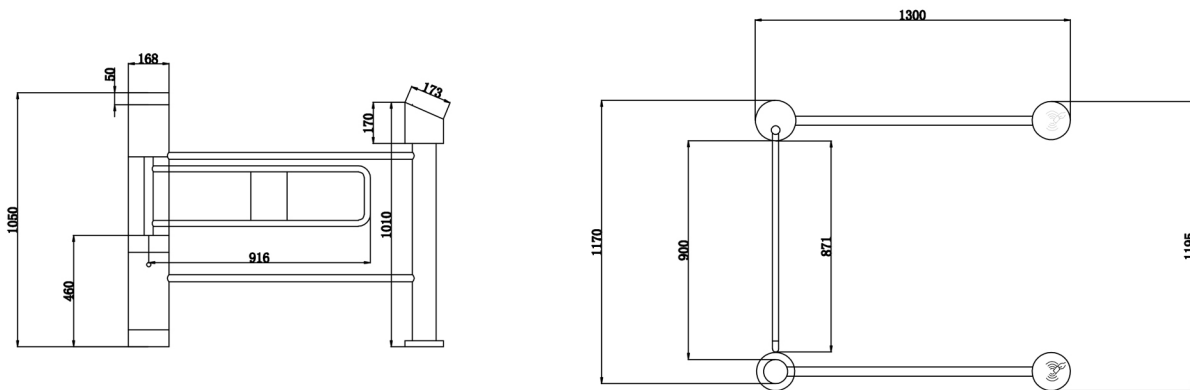
The RMC-PHS-900 Handicap Swing Gate is designed specifically designed for use of physically challenged on wheelchair or for material movement. These gates are used in combination with either Tripod Turnstiles or Speed Gates. These are ergonomically & aesthetically designed for easy movement in access controlled environment.

The designed concept is such that it offers the scope for customization depending on the application that it is desired for. The extent of Ravel Movement Control's dedication is more than explicit to engage with its customer's ideas and an architect's desire to deliver complimenting designs to their architecture is in its complementing products and solutions.

The Pedestrian Handicap Swing Gate is a combination of well-crafted Stainless steel and faux glass panels. The design is engaging both in terms of its appearance & safety.

The Swing gate is offered with an aisle width of 900mm for regular pedestrian access and 1850mm when deployed with two sets facing each other to operate as one.

Dimension



(All dimensions are in mm)



P- SWING GATE

RMC-PHS-900

DESCRIPTION	PARTICULAR
Make	Ravel Movement Control
Model	RMC-PHS-900
Material of Construction	304 Stainless steel
Housing Material Thickness	1.5mm
Housing Dimension (in mm)	168 Diameter X 1050 Height
Swing arm movement	180 Degrees
Operation	Bi-Directional
Opening & Closing Time	2 - 3 Seconds
Drive motor	30W / 24 V
Power	AC 230V±10V, 50Hz
Power Consumption	<50 W
Working Temperature	-30° C to +60° C
Relative Humidity	<95%, No Condensation
Throughput	20 Passages
Voltage	AC 220V±10V,
IP Rating	IP 43 (Outdoor, under canopy)
Hold Open Time	1s-60s adjustable, default is 5s
Emergency/Safety	Free passage when power off
Card Reader Interface	Potential Free Contact
Noice during operation	Less than 60 dB
Weight of the Product	42KG

