



SPEEDSTILE

RMC-PSS-160

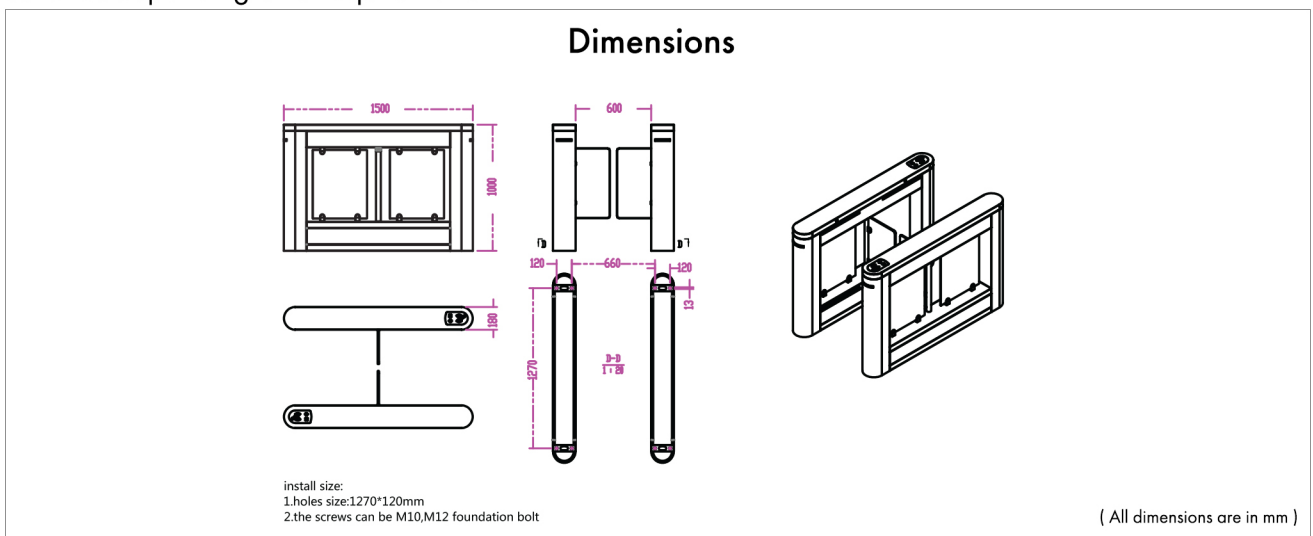


The RMC-PSS-160 Swing Type Speedstile is ergonomically & aesthetically designed & built thus offering an alluring design of sophistication. The designed concept is such that it offers the scope for customization depending on the application that it is desired for. The extent of Ravel Movement Control's dedication is more than explicit in its complementing products and solutions. It thus offers its customer flexibility in adopting to new ideas and aids in an architect's desire to deliver unique designs to their architecture.

The Swing type Speedstile is a combination of well-crafted Stainless steel and faux glass panels. The design is engaging both in terms of its appearance, space occupation, the pedestrian logic and safety. This speedstile gate is sleek (160mm wide right and left cabinet forming a lane) The Cabinet is 160mm wide throughout its length of 1500mm.

RMC-PSS-160 Pedestrian Swing Speedstile has at its heart, a DC Drive Motor that offer several years of trouble free operation. The reliability of the gate system of an MCBF of ≥ 5 Mil., Cycles is proof of the ruggedness. The Speedstile is high on pedestrian safety as well with the 7 Pairs of Sensors to determine various pedestrian access logics and build in the extra safety.

The RMC-PSS-160 Speedstile is offered with an aisle width of 600mm for regular pedestrian access and 900mm for wheelchair or material access. These gates may also be offered in combination of standard and wide lanes depending on a requirement.





SPEEDSTILE

RMC-PSS-160

DESCRIPTION	PARTICULAR
Make	Ravel Movement Control
Model	RMC-PSS-160
Material of Construction	304 Stainless steel cabinet, Brushed hairline finish
Housing Material Thickness	1.5 mm
Housing Dimension (in mm)	Length 1500mm X Width 160mm X Height 1000mm
Swing Type Flap Dimensions (in mm)	800 Height X 275 Width X Thickness 10
Swing Type Flap Material	Polycarbonate Glass
Passage or Aisle Width	550mm & 850mm with a variable gap of 50mm or as desired between glass wings for a Standard Lane & Wide Lane respectively.
No of Infrared Sensors	7 Pairs
Location of Sensors	3 on top and 4 on the bottom
Mains	AC 230V ±10%, 50Hz
Drive	24V DC Motor
Flap Swing Speed	0.2 Seconds (adjustable)
Hold Open Time	5 sec (adjustable)
Direction of Operation	Bi-Directional, can also be programmed to Uni-Directional
Power Consumption	40W
Working Temperature	` -25 to 70°C
Condensation	<90% no condensation
Throughput	35 Persons or more / Min. excluding card validation time.
Duty Cycle	100%
Signal	Dry contact signal
Application	Indoor / Outdoor
Ingress Protection	IP54
Emergency/Safety	Free passage when power off
MCBF	More than 5 Million Cycles
Noice during operation	50db
Weight of the Product	80Kg/Unit

