



P- SWING GATE

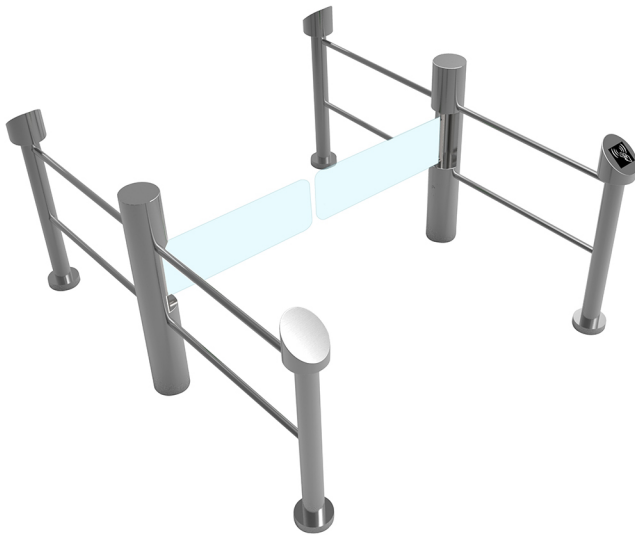
RMC-DRS-900

The RMC-DRS-900 Multi functional Swing Gate is designed for varied applications involving Pedestrian, Two Wheeler & Material Movement. These are ergonomically & aesthetically designed with side railings for clear demarcation of the passage so as to offer easy movement in an access controlled environment.

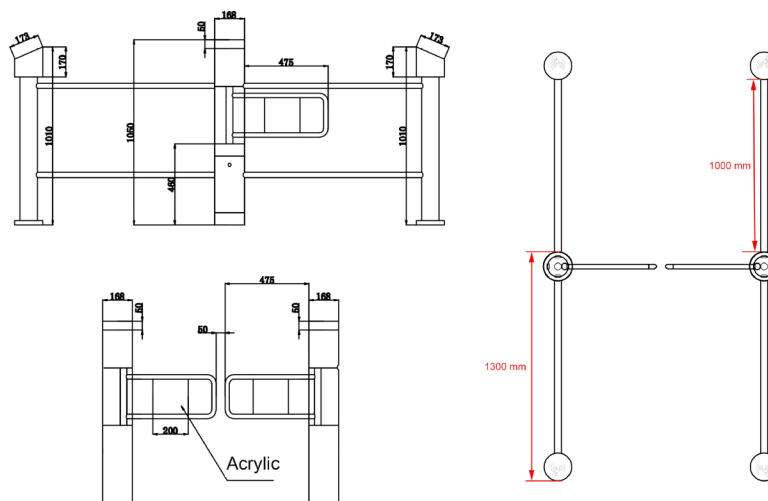
The extent of Ravel Movement Control's dedication is more than explicit in its complementing products and solutions. It thus offers its customer flexibility in adopting to new ideas and aids in an architect's desire to deliver unique designs to their architecture.

The Pedestrian Handicap Swing Gate is a combination of well-crafted Stainless steel and faux glass panels. The design is engaging both in terms of its appearance & safety.

The RMC-DRS-900 is offered with an aisle width ranging from 900mm to 1850mm depending on the requirement.



Dimension



(All dimensions are in mm)



P- SWING GATE

RMC-DRS-900

| DESCRIPTION | PARTICULAR |
|----------------------------|----------------------------------|
| Make | Ravel Movement Control |
| Model | RMC-DRS-900 |
| Material of Construction | 304 Stainless steel |
| Housing Material Thickness | 1.5mm |
| Housing Dimension (in mm) | 168 Diameter X 1050 Height |
| Swing arm movement | 180 Degrees |
| Operation | Bi-Directional |
| Opening & Closing Time | 2 - 3 Seconds |
| Drive motor | 30W / 24 V |
| Power | AC 230V±10V, 50Hz |
| Power Consumption | <50 W |
| Working Temperature | -30° C to +60° C |
| Relative Humidity | <95%, No Condensation |
| Throughput | 20 Passages |
| Voltage | AC 220V±10V, |
| IP Rating | IP 43 (Outdoor, under canopy) |
| Hold Open Time | 1s-60s adjustable, default is 5s |
| Emergency/Safety | Free passage when power off |
| Card Reader Interface | Potential Free Contact |
| Noise during operation | Less than 60 dB |
| Weight of the Product | 42KG |

